

# SPECIFICATIONS

<b>Operating weight</b>	<b>15,400 kg (33,951 lbs)</b>
Operating weight includes coolant, lubricants, full fuel tank, cab, standard shoes, boom, arm, bucket and operator 75 kg (165 lbs).	
<b>Bucket capacity</b>	<b>0.6 m<sup>3</sup> (0.78 yd<sup>3</sup>)</b>

## ENGINE

### Description

Cummins EPA Tier 4 final / EU Stage IV, 4-cylinder straight Variable-Geometry Turbocharger (VGT), high pressure common rail, electronically controlled direct injection. Air cleaner: Cummins direct flow air filter. Cooling system: Charge air cooler.

Emission rating	EPA Tier 4 Final / EU Stage IV
Engine manufacturer	Cummins
Engine model	QSB 4.5
Aspiration	Variable-Geometry Turbocharger (VGT)
Charged air cooling	Aftercooler
Cooling fan drive	Viscous clutch
Displacement	4.5 L (1.19 gal) 4,500 cm <sup>3</sup> (275 in <sup>3</sup> )
Rated speed	2,200 rpm
Engine output - net (SAE J1349 / ISO 9249)	84.3 kW (113 hp)
Engine output - gross (SAE J1995 / ISO 14396)	90 kW (121 hp)
Maximum torque	470 N·m (347 lbf·ft) @1,500 rpm
Bore × Stroke	107 × 124 mm (4.2" × 4.9")

## DRIVE AND BRAKES

### Description

2-speed axial piston motors with oil disk brakes. Steering controlled by two hand levers with pedals.

Max. travel speed	High: 6.0 km/h (3.7 mph) Low: 3.5 km/h (2.2 mph)
Gradeability	35°/70%
Max. drawbar pull	124 kN (27,876 lbf)

## SWING SYSTEM

### Description

Planetary gear reduction driven by high torque axial piston motor, with oil disk brake. Swing parking brake resets within five seconds after swing pilot controls return to neutral.

Swing speed	12.94 rpm
Swing torque	36,793 N·m (27,137 lbf·ft)

## HYDRAULIC SYSTEM

### Main pump

Type	Two variable displacement piston pumps
Maximum flow	2 × 120 L/min (2 × 31.7 gal/min)

### Pilot pump

Type	Gear pump
Maximum flow	19 L/min (5 gal/min)

### Relief valve setting

Implement	34.3/37.3 MPa (4,975 / 5,410 psi)
Travel circuit	34.3 MPa (4,975 psi)
Slew circuit	25.5 MPa (3,698 psi)
Pilot circuit	3.9 MPa (566 psi)

### Hydraulic cylinders

Boom Cylinder – Bore × Stroke	Φ105 × 990 mm (Φ4.1" × 3' 3")
Stick Cylinder – Bore × Stroke	Φ115 × 1,175 mm (Φ4.5" × 3' 10")
Bucket Cylinder – Bore × Stroke	Φ95 × 885 mm (Φ3.7" × 2' 11")

## UNDERCARRIAGE

Track shoe each side	46
Link pitch	190 mm (7.5")
Shoe width, triple grouser	600 / 700 mm (24"/28")
Bottom rollers each side	7
Top rollers each side	1

## ELECTRIC SYSTEM

System Voltage	24 V
Batteries	2 × 12 V
Alternator	24 V - 70 A
Start motor	24 V - 4.8 kW (24 V - 6.4 hp)

## SERVICE CAPACITIES

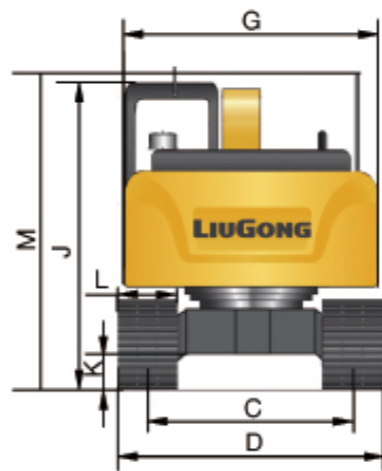
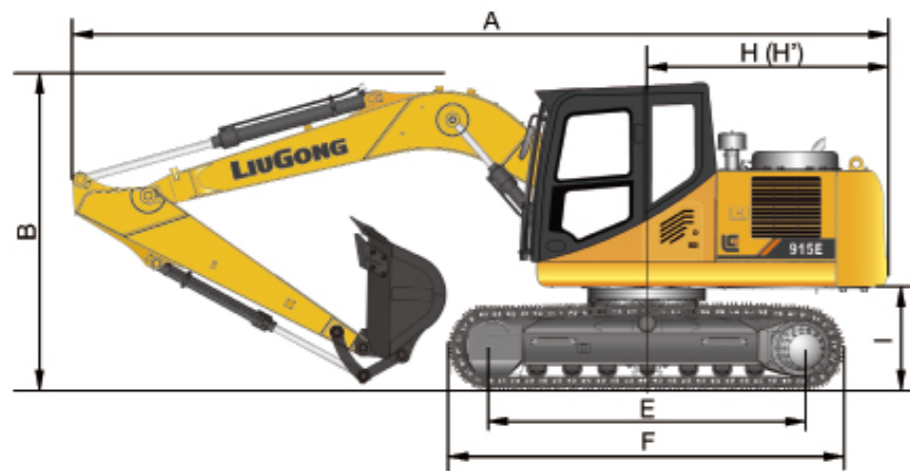
Fuel tank	245 L (64.7 gal)
Engine oil	11 L (2.9 gal)
Final drive (each)	2.5 L (0.7 gal)
Swing drive	3 L (0.8 gal)
Cooling system	21 L (5.5 gal)
Hydraulic reservoir	160 L (42.3 gal)
Hydraulic system total	240 L (63.4 gal)
DEF tank	16.9 L (4.5 gal)

## SOUND PERFORMANCE

Interior Sound Power Level (ISO 6396)	70 dB(A)
Exterior Sound Power Level (ISO 6395)	100 dB(A)

## MACHINE WEIGHTS AND GROUND PRESSURE

Operating weight	16,300 kg (35,935 lbs)
Shoe width	600 mm (24")
Boom	4.6 m (15'1")
Arm	2.5 m (8'2")
Bucket	0.6 m <sup>3</sup> (0.78 yd <sup>3</sup> )
Counterweight	2,300 kg (5,071 lbs)
Ground pressure	34 kPa (4.9 psi)



**DIMENSIONS**

Boom	4,600 mm (15' 1")	
Arm Options	2,500 mm (8' 2")	2,900 mm (9' 6")
A Shipping Length	7,750 mm (25' 5")	
B Shipping Height – Top of Boom	3,055 mm (10')	
C Track Gauge	1,990 mm (6' 6")	
D Undercarriage Width – with 600 mm Shoes	2,590 mm (8' 6")	
E Length to Center of Rollers	3,010 mm (9' 11")	
F Track Length	3,746 mm (12' 3")	
G Overall Width of Upper Structure	2,490 mm (8' 2")	
H Tail Swing Radius	2,305 mm (7' 7")	
I Counterweight Ground Clearance	960 mm (3' 2")	
J Overall Height of Cab	3,055 mm (10')	
K Min. Ground Clearance	430 mm (1' 5")	
L Track Shoe Width	600 mm (24")	

**BOOM DIMENSIONS**

Boom	4,600 mm (15' 1")	
Length	4,760 mm (15' 7")	
Height	1,667 mm (5' 6")	
Width	565 mm (with boom hinge pin 675 mm) / 1' 10" (with boom hinge pin 2' 3")	
Weight	842 kg (1,857 lbs)	

Cylinder, piping and pin included.  
Boom cylinder pin excluded.

**ARM DIMENSIONS**

Arm	2,500 mm (8' 2")	2,900 mm (9' 6")
Length	3,260 mm (10' 8")	3,659 mm (12')
Height	645 mm (2' 1")	704 mm (2' 4")
Width	370 mm (1' 3") (with hinge pin)	370 mm (1' 3") (with hinge pin)
Weight	555 kg (1,224 lbs)	605 kg (1,334 lbs)

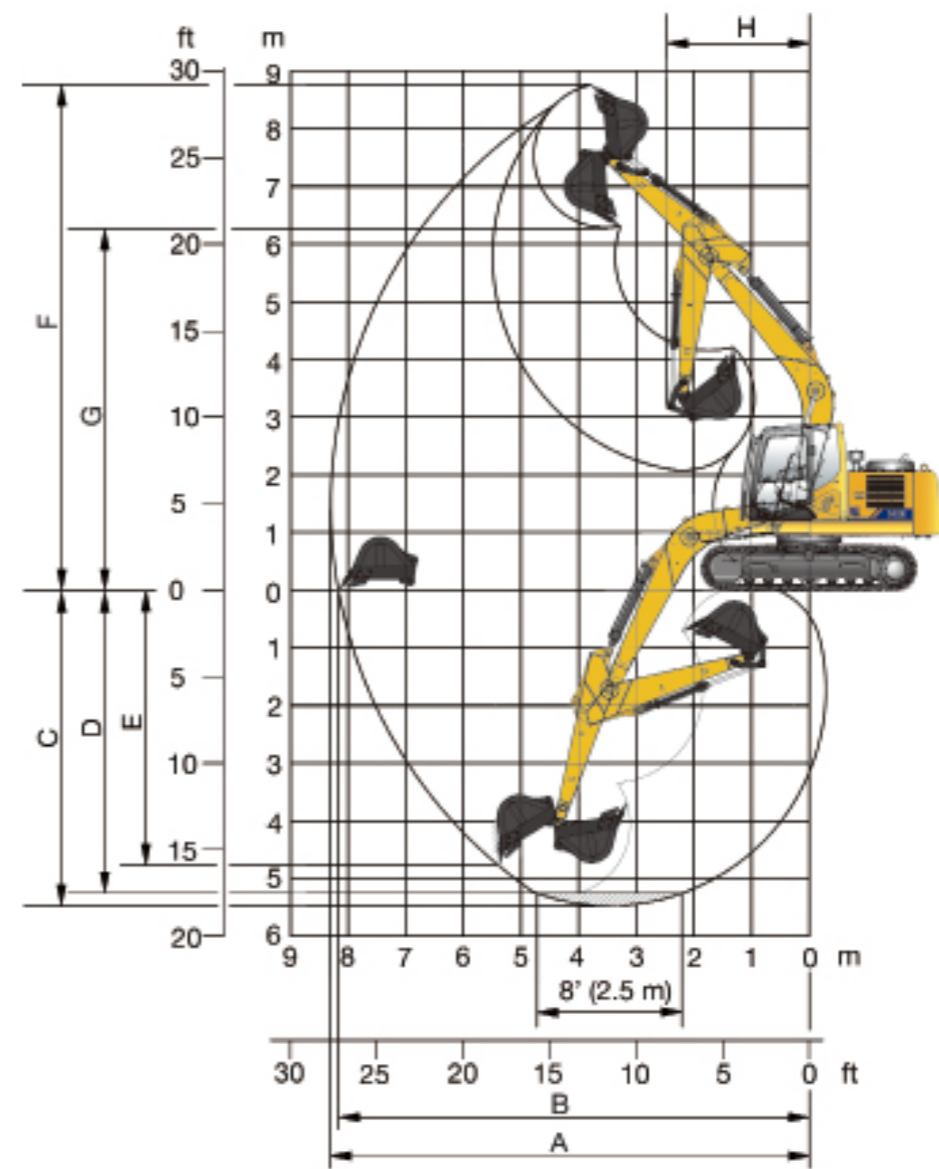
Cylinder, linkage and pin included.

**BUCKET SELECTION GUIDE**

Bucket type	Capacity	Cutting width	Weight	Teeth pcs	4.6 m (15' 1") HD Boom	
					2.5 m (8' 2") Arm	2.9 m (9' 6") Arm
General purpose	0.6 m <sup>3</sup> (0.78 yd <sup>3</sup> )	1,030 mm (3' 5")	576 kg (1,270 lbs)	4	NA	B
General purpose	0.36 m <sup>3</sup> (0.47 yd <sup>3</sup> )	748 mm (2' 5")	390 kg (860 lbs)	5	B	NA

The recommendations are given as a guide only, based on typical operation conditions. Bucket capacity based on ISO 7451, heaped material with a 1:1 angle of repose.

- A 1,200 - 1,300 kg/m<sup>3</sup> (2,023 - 2,191 lb/yd<sup>3</sup>): Coal, Caliche, Shale
- B 1,400 - 1,600 kg/m<sup>3</sup> (2,360 - 2,697 lb/yd<sup>3</sup>): Wet earth and clay, limestone, sandstone
- C 1,700 - 1,800 kg/m<sup>3</sup> (2,865 - 3,034 lb/yd<sup>3</sup>): Granite, wet sand, well blasted rock
- D 1,900 kg/m<sup>3</sup> (3,203 lb/yd<sup>3</sup>): Wet mud, Iron ore
- NA. Not applicable



**WORKING RANGE**

Boom	4,600 mm (15' 1")	
Arm Options	2,500 mm (8' 2")	2,900 mm (9' 6")
A. Max. Digging Reach	8,300 mm (27' 3")	8,600 mm (28' 3")
B. Max. Digging Reach on Ground	8,170 mm (26' 10")	8,490 mm (27' 10")
C. Max. Digging Depth	5,470 mm (17' 11")	5,870 mm (19' 3")
D. Max. Digging Depth, 2.44 m (8') Level	5,250 mm (17' 3")	5,670 mm (18' 7")
E. Max. Vertical Wall Digging Depth	4,770 mm (15' 8")	5,280 mm (17' 4")
F. Max. Cutting Height	8,760 mm (28' 9")	8,830 mm (29')
G. Max. Dumping Height	6,310 mm (20' 8")	6,400 mm (21')
H. Min. Front Swing Radius	2,305 mm (7' 7")	2,305 mm (7' 7")
Bucket Digging Force (ISO)	Normal	89.8 kN (20,188 lbf)
	Power Boost	96.9 kN (21,784 lbf)
Stick Digging Force (ISO)	Normal	64.9 kN (14,590 lbf)
	Power Boost	70 kN (15,737 lbf)
Bucket Capacity	0.6 m <sup>3</sup> (0.78 yd <sup>3</sup> )	0.36 m <sup>3</sup> (0.47 yd <sup>3</sup> )
Bucket Tip Radius	1,254 mm (4' 1")	1,254 mm (4' 1")

Lifting capacity at the arm end without bucket.  
For lifting capacity including bucket, weight of the bucket or the bucket with quick coupler must be deducted from the lifting capacities.

Lifting capacities are based on the machine standing on a firm, uniform supporting surface.



Rating over - front (Cf)



Rating over - side (Cs)

- Do not attempt to lift or hold any load that is greater than these rated values at their specified load radius and height. Weight of all accessories must be deducted from the above lifting capacities.
- The rated loads are in compliance with ISO 10567 Hydraulic Excavator Lift Capacity Rating Standard. They do not exceed 87% of hydraulic lifting capacity or 75% tipping load.
- Ratings at bucket lift hook.

- Lifting capacities are based on machine standing on level, firm and uniform ground.
- \*Indicates the load is limited by hydraulic capacity rather than tipping capacity.
- Operator should be fully acquainted with the Operator's and Maintenance Instructions before operating this machine and rules for the safe operation of equipment should be adhered to at all times.

Lifting capacity at the arm end without bucket.  
For lifting capacity including bucket, weight of the bucket or the bucket with quick coupler must be deducted from the lifting capacities.

Lifting capacities are based on the machine standing on a firm, uniform supporting surface.



Rating over - front (Cf)



Rating over - side (Cs)

- Do not attempt to lift or hold any load that is greater than these rated values at their specified load radius and height. Weight of all accessories must be deducted from the above lifting capacities.
- The rated loads are in compliance with ISO 10567 Hydraulic Excavator Lift Capacity Rating Standard. They do not exceed 87% of hydraulic lifting capacity or 75% tipping load.
- Ratings at bucket lift hook.

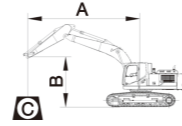
- Lifting capacities are based on machine standing on level, firm and uniform ground.
- \*Indicates the load is limited by hydraulic capacity rather than tipping capacity.
- Operator should be fully acquainted with the Operator's and Maintenance Instructions before operating this machine and rules for the safe operation of equipment should be adhered to at all times.

### LIFTING CAPACITY (METRIC)

#### 915E with 600 mm shoes, 2,500 mm arm (Standard)

A: Load radius  
B: Load point height  
C: Lifting capacity  
Cf: Rating over front  
Cs: Rating over side

**Conditions**  
Boom length: 4,600 mm one-piece boom  
Arm length: 2,500 mm  
Bucket: None  
Shoes: 600 mm triple grouser  
Unit: kg



#### Blade: Down

##### A (Unit: m)

B (m)	1.5		3		4.5		6		MAX REACH		A (m)
	Cf	Cs	Cf	Cs	Cf	Cs	Cf	Cs	Cf	Cs	
6					*3,610	*3,610			*2,210	*2,210	5.4
4.5					*3,800	*3,800	*3,430	2,560	*1,940	*1,940	6.4
3			*6,150	*6,150	*4,530	3,800	*3,880	2,500	*2,070	2,020	6.9
1.5			*8,520	6,340	*5,420	3,560	*4,230	2,400	*2,630	1,940	7
0			*7,340	6,040	*5,980	3,400	*4,470	2,330	*2,450	1,940	6.9
-1.5	*5,270	*5,270	*8,830	6,020	*5,960	3,340	*4,320	2,310	*2,770	2,140	6.4
-3	*9,270	*9,270	*7,430	6,140	*5,120	3,390			*3,920	2,700	5.4

#### Blade: Up

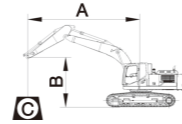
##### A (Unit: m)

B (m)	1.5		3		4.5		6		MAX REACH		A (m)
	Cf	Cs	Cf	Cs	Cf	Cs	Cf	Cs	Cf	Cs	
6					*3,610	*3,610			*2,210	*2,210	5.4
4.5					*3,800	*3,800	*3,430	2,560	*1,940	*1,940	6.4
3			*6,150	*6,150	*4,530	3,800	3,810	2,500	*2,070	2,020	6.9
1.5			*8,520	6,340	*5,420	3,560	3,710	2,400	*2,630	1,940	7
0			*7,340	6,040	*5,980	3,400	3,630	2,330	*2,450	1,940	6.9
-1.5	*5,270	*5,270	*8,830	6,020	5,500	3,340	3,600	2,310	*2,770	2,140	6.4
-3	*9,270	*9,270	*7,430	6,140	*5,120	3,390			*3,920	2,700	5.4

#### 915E with 700 mm shoes, 2,500 mm arm

A: Load radius  
B: Load point height  
C: Lifting capacity  
Cf: Rating over front  
Cs: Rating over side

**Conditions**  
Boom length: 4,600 mm one-piece boom  
Arm length: 2,500 mm  
Bucket: None  
Shoes: 700 mm triple grouser  
Unit: kg



#### Blade: Down

##### A (Unit: m)

B (m)	1.5		3		4.5		6		MAX REACH		A (m)
	Cf	Cs	Cf	Cs	Cf	Cs	Cf	Cs	Cf	Cs	
6					*3,610	*3,610			*2,210	*2,210	5.4
4.5					*3,800	*3,800	*3,430	2,560	*1,940	*1,940	6.4
3			*6,150	*6,150	*4,530	3,800	*3,880	2,500	*2,070	2,020	6.9
1.5			*8,520	6,340	*5,420	3,560	*4,230	2,400	*2,630	1,940	7
0			*7,340	6,040	*5,980	3,400	*4,470	2,330	*2,450	1,940	6.9
-1.5	*5,270	*5,270	*8,830	6,020	*5,960	3,340	*4,320	2,310	*2,770	2,140	6.4
-3	*9,270	*9,270	*7,430	6,140	*5,120	3,390			*3,920	2,700	5.4

#### Blade: Up

##### A (Unit: m)

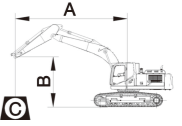
B (m)	1.5		3		4.5		6		MAX REACH		A (m)
	Cf	Cs	Cf	Cs	Cf	Cs	Cf	Cs	Cf	Cs	
6					*3,610	*3,610			*2,210	*2,210	5.4
4.5					*3,800	*3,800	*3,430	2,560	*1,940	*1,940	6.4
3			*6,150	*6,150	*4,530	3,800	3,810	2,500	*2,070	2,020	6.9
1.5			*8,520	6,340	*5,420	3,560	3,710	2,400	*2,630	1,940	7
0			*7,340	6,040	*5,980	3,400	3,630	2,330	*2,450	1,940	6.9
-1.5	*5,270	*5,270	*8,830	6,020	5,500	3,340	3,600	2,310	*2,770	2,140	6.4
-3	*9,270	*9,270	*7,430	6,140	*5,120	3,390			*3,920	2,700	5.4

### LIFTING CAPACITY (METRIC)

#### 915E with 600 mm shoes, 2,900 mm arm (Standard)

A: Load radius  
B: Load point height  
C: Lifting capacity  
Cf: Rating over front  
Cs: Rating over side

**Conditions**  
Boom length: 4,600 mm one-piece boom  
Arm length: 2,900 mm  
Bucket: None  
Shoes: 600 mm triple grouser  
Unit: kg



#### Blade: Down

##### A (Unit: m)

B (m)	1.5		3		4.5		6		MAX REACH		A (m)
	Cf	Cs	Cf	Cs	Cf	Cs	Cf	Cs	Cf	Cs	
6									*1,780	*1,780	5.9
4.5					*3,440	*3,440	*3,360	2,600	*1,710	*1,710	6.8
3			*5,430	*5,430	*4,190	3,870	*3,640	2,520	*1,660	*1,660	7.3
1.5			*7,940	6,520	*5,130	3,610	*4,040	2,410	*2,050	1,770	7.4
0			*7,880	6,070	*5,820	3,400	*4,350	2,310	*1,930	1,770	7.3
-1.5	*4,770	*4,770	*9,000	5,960	*5,950	3,300	*4,350	2,260	*2,380	1,930	6.8
-3	*7,980	*7,980	*7,870	6,020	*5,360	3,310			*3,140	2,340	5.9

#### Blade: Up

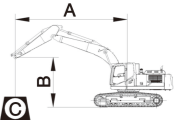
##### A (Unit: m)

B (m)	1.5		3		4.5		6		MAX REACH		A (m)
	Cf	Cs	Cf	Cs	Cf	Cs	Cf	Cs	Cf	Cs	
6									*1,780	*1,780	5.9
4.5					*3,440	*3,440	*3,360	2,600	*1,710	*1,710	6.8
3			*5,430	*5,430	*4,190	3,870	*3,640	2,520	*1,660	*1,660	7.3
1.5			*7,940	6,520	*5,130	3,610	3,700	2,410	*2,050	1,770	7.4
0			*7,880	6,070	5,500	3,400	3,600	2,310	*1,930	1,770	7.3
-1.5	*4,770	*4,770	*9,000	5,960	5,400	3,300	3,560	2,260	*2,380	1,930	6.8
-3	*7,980	*7,980	*7,870	6,020	*5,360	3,310			*3,140	2,340	5.9

#### 915E with 700 mm Shoes, 2,900 mm Arm

A: Load radius  
B: Load point height  
C: Lifting capacity  
Cf: Rating over front  
Cs: Rating over side

**Conditions**  
Boom length: 4,600 mm one-piece boom  
Arm length: 2,900 mm  
Bucket: None  
Shoes: 700 mm triple grouser  
Unit: kg



#### Blade: Down

##### A (Unit: m)

B (m)	1.5		3		4.5		6		MAX REACH		A (m)
	Cf	Cs	Cf	Cs	Cf	Cs	Cf	Cs	Cf	Cs	
6									*1,780	*1,780	5.9
4.5					*3,440	*3,440	*3,360	2,600	*1,710	*1,710	6.8
3			*5,430	*5,430	*4,190	3,870	*3,640	2,520	*1,660	*1,660	7.3
1.5			*7,940	6,520	*5,130	3,610	*4,040	2,410	*2,050	1,770	7.4
0			*7,880	6,070	*5,820	3,400	*4,350	2,310	*1,930	1,770	7.3
-1.5	*4,770	*4,770	*9,000	5,960	*5,950	3,300	*4,350	2,260	*2,380	1,930	6.8
-3	*7,980	*7,980	*7,870	6,020	*5,360	3,310			*3,140	2,340	5.9

#### Blade: Up

##### A (Unit: m)

B (m)	1.5		3		4.5		6		MAX REACH		A (m)
	Cf	Cs	Cf	Cs	Cf	Cs	Cf	Cs	Cf	Cs	
6									*1,780	*1,780	5.9
4.5					*3,440	*3,440	*3,360	2,600	*1,710	*1,710	6.8
3			*5,430	*5,430	*4,190	3,870	*3,640	2,520	*1,660	*1,660	7.3
1.5			*7,940	6,520	*5,130	3,610	3,700	2,410	*2,050	1,770	7.4
0			*7,880	6,070	5,500	3,400	3,600	2,310	*1,930	1,770	7.3
-1.5	*4,770	*4,770	*9,000	5,960	5,400	3,300	3,560	2,260	*2,380	1,930	6.8
-3	*7,980	*7,980	*7,870	6,020	*5,360	3,310			*3,140	2,340	5.9

Lifting capacity at the arm end without bucket.  
For lifting capacity including bucket, weight of the bucket or the bucket with quick coupler must be deducted from the lifting capacities.

Lifting capacities are based on the machine standing on a firm, uniform supporting surface.



Rating over - front (Cf)



Rating over - side (Cs)

- Do not attempt to lift or hold any load that is greater than these rated values at their specified load radius and height. Weight of all accessories must be deducted from the above lifting capacities.
- The loads are in compliance with ISO 10567 Hydraulic Excavator Lift Capacity Rating Standard. They do not exceed 87% of hydraulic lifting capacity or 75% tipping load.
- Ratings at bucket lift hook.

- Lifting capacities are based on machine standing on level, firm and uniform ground.
- \*Indicates the load is limited by hydraulic capacity rather than tipping capacity.
- Operator should be fully acquainted with the Operator's and Maintenance Instructions before operating this machine and rules for the safe operation of equipment should be adhered to at all times.

Lifting capacity at the arm end without bucket.  
For lifting capacity including bucket, weight of the bucket or the bucket with quick coupler must be deducted from the lifting capacities.

Lifting capacities are based on the machine standing on a firm, uniform supporting surface.



Rating over - front (Cf)



Rating over - side (Cs)

- Do not attempt to lift or hold any load that is greater than these rated values at their specified load radius and height. Weight of all accessories must be deducted from the above lifting capacities.
- The loads are in compliance with ISO 10567 Hydraulic Excavator Lift Capacity Rating Standard. They do not exceed 87% of hydraulic lifting capacity or 75% tipping load.
- Ratings at bucket lift hook.

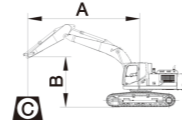
- Lifting capacities are based on machine standing on level, firm and uniform ground.
- \*Indicates the load is limited by hydraulic capacity rather than tipping capacity.
- Operator should be fully acquainted with the Operator's and Maintenance Instructions before operating this machine and rules for the safe operation of equipment should be adhered to at all times.

**LIFTING CAPACITY (IMPERIAL)**

**915E with 24" shoes, 8' 2" arm (Standard)**

A: Load radius  
B: Load point height  
C: Lifting capacity  
Cf: Rating over front  
Cs: Rating over side

**Conditions**  
Boom length: 15' 1" one-piece boom  
Arm length: 8' 2"  
Bucket: None  
Shoes: 24" triple grouser  
Unit: lbs



**Blade: Down**

B (ft)	A (Unit ft)										
	5		10		15		20		MAX REACH		A (ft)
20					*7,950	*7,950			*4,870	*4,870	
15					*8,370	*8,370	*7,560	5,640	*4,270	*4,270	21.0
10			*13,550	*13,550	*9,980	8,370	*8,550	5,510	*4,560	4,450	22.6
5			*18,780	13,970	*11,940	7,840	*9,320	5,290	*5,790	4,270	23.0
0			*16,180	13,310	*13,180	7,490	*9,850	5,130	*5,400	4,270	22.6
- 5	*11,610	*11,610	*19,460	13,270	*13,130	7,360	*9,520	5,090	*6,100	4,710	21.0
- 10	*20,430	*20,430	*16,380	13,530	*11,280	7,470			*8,640	5,950	17.7

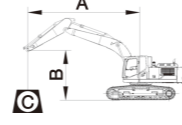
**Blade: Up**

B (ft)	A (Unit ft)										
	5		10		15		20		MAX REACH		A (ft)
	Cf	Cs	Cf	Cs	Cf	Cs	Cf	Cs	Cf	Cs	
20					*7,950	*7,950			*4,870	*4,870	17.7
15					*8,370	*8,370	*7,560	5,640	*4,270	*4,270	21.0
10			*13,550	*13,550	*9,980	8,370	8,390	5,510	*4,560	4,450	22.6
5			*18,780	13,970	*11,940	7,840	8,170	5,290	*5,790	4,270	23.0
0			*16,180	13,310	*13,180	7,490	8,000	5,130	*5,400	4,270	22.6
- 5	*11,610	*11,610	*19,460	13,270	*12,120	7,360	7,930	5,090	*6,100	4,710	21.0
- 10	*20,430	*20,430	*16,380	13,530	*11,280	7,470			*8,640	5,950	17.7

**915E with 28" Shoes, 8' 2" Arm (Standard)**

A: Load radius  
B: Load point height  
C: Lifting capacity  
Cf: Rating over front  
Cs: Rating over side

**Conditions**  
Boom length: 15' 1" one-piece boom  
Arm length: 8' 2"  
Bucket: None  
Shoes: 28" triple grouser  
Unit: lb



**Blade: Down**

B (ft)	A (Unit ft)										
	5		10		15		20		MAX REACH		A (ft)
20					*7,950	*7,950			*4,870	*4,870	
15					*8,370	*8,370	*7,560	5,640	*4,270	*4,270	21.0
10			*13,550	*13,550	*9,980	8,370	*8,550	5,510	*4,560	4,450	22.6
5			*18,780	13,970	*11,940	7,840	*9,320	5,290	*5,790	4,270	23.0
0			*16,180	13,310	*13,180	7,490	*9,850	5,130	*5,400	4,270	22.6
- 5	*11,610	*11,610	*19,460	13,270	*13,130	7,360	*9,520	5,090	*6,100	4,710	21.0
- 10	*20,430	*20,430	*16,380	13,530	*11,280	7,470			*8,640	5,950	17.7

**Blade: Up**

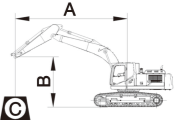
B (ft)	A (Unit ft)										
	5		10		15		20		MAX REACH		A (ft)
	Cf	Cs	Cf	Cs	Cf	Cs	Cf	Cs	Cf	Cs	
20					*7,950	*7,950			*4,870	*4,870	17.7
15					*8,370	*8,370	*7,560	5,640	*4,270	*4,270	21.0
10			*13,550	*13,550	*9,980	8,370	8,390	5,510	*4,560	4,450	22.6
5			*18,780	13,970	*11,940	7,840	8,170	5,290	*5,790	4,270	23.0
0			*16,180	13,310	*13,180	7,490	8,000	5,130	*5,400	4,270	22.6
- 5	*11,610	*11,610	*19,460	13,270	*12,120	7,360	7,930	5,090	*6,100	4,710	21.0
- 10	*20,430	*20,430	*16,380	13,530	*11,280	7,470			*8,640	5,950	17.7

**LIFTING CAPACITY (IMPERIAL)**

**915E with 24" Shoes, 9' 6" Arm**

A: Load radius  
B: Load point height  
C: Lifting capacity  
Cf: Rating over front  
Cs: Rating over side

**Conditions**  
Boom length: 15' 1" one-piece boom  
Arm length: 9' 6"  
Bucket: None  
Shoes: 24" triple grouser  
Unit: lb



**Blade: Down**

B (ft)	A (Unit ft)																		
	5		10		15		20		MAX REACH		A (ft)								
20																			
15									*7,580	*7,580	*7,400	5,730	*3,760	*3,760	22.3				
10									*11,970	*11,970	*9,230	8,530	*8,020	5,550	*3,650	3,650	24.0		
5									*17,500	14,370	*11,300	7,950	*8,900	5,310	*4,510	3,900	24.3		
0									*17,370	13,380	*12,830	7,490	*9,590	5,090	*4,250	3,900	24.0		
- 5									*10,510	*10,510	*19,840	13,130	*13,110	7,270	*9,590	4,980	*5,240	4,250	22.3
- 10									*17,590	*17,590	*17,350	13,270	*11,810	7,290			*6,920	5,150	19.4

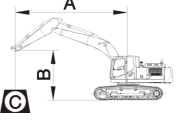
**Blade: Up**

B (ft)	A (Unit ft)																		
	5		10		15		20		MAX REACH		A (ft)								
	Cf	Cs	Cf	Cs	Cf	Cs	Cf	Cs	Cf	Cs									
20																			
15																			
10																			
5																			
0																			
- 5																			
- 10																			

**915E with 28" Shoes, 9' 6" Arm**

A: Load radius  
B: Load point height  
C: Lifting capacity  
Cf: Rating over front  
Cs: Rating over side

**Conditions**  
Boom length: 15' 1" one-piece boom  
Arm length: 9' 6"  
Bucket: None  
Shoes: 28" triple grouser  
Unit: lb



**Blade: Down**

B (ft)	A (Unit ft)																		
	5		10		15		20		MAX REACH		A (ft)								
20																			
15																			
10																			
5																			
0																			
- 5																			
- 10																			

**Blade: Up**

B (ft)	A (Unit ft)																		
	5		10		15		20		MAX REACH		A (ft)								
	Cf	Cs	Cf	Cs	Cf	Cs	Cf	Cs	Cf	Cs									
20																			
15																			
10																			
5																			
0																			
- 5																			
- 10																			



# STANDARD EQUIPMENT

## ENGINE SYSTEM

- Cummins diesel engine, turbocharged, inline 4-cylinder, 4 stroke, water cooled
- Auto-idle speed control
- Air filter with pre-cleaner
- Engine oil filter
- Pre-filter with water separator
- Radiator, oil cooler and intercooler
- IPC (Intelligent Power Control) System
- Engine overheating prevention system

## DRIVETRAIN

- Hydraulic motor, one-piece two-gear piston and reducer
- 2-speed travel system with automatic shift

## SWING SYSTEM

- High-torque piston swing motor with integral spring set and automatic hydraulic release swing brake

## HYDRAULIC SYSTEM

- Main pump: two variable displacement piston pumps, ready for PTO
- Pilot pump: gear
- Cylinders: boom, stick, bucket
- Power boost function
- Boom and arm regeneration circuits
- Pilot oil filter
- Load holding valve
- Pilot control shut-off lever

- Hose burst safety valves, prevention of boom or arm supply dropped when the lines split (2 mounted on boom cylinders, 1 on arm cylinder)
- 6-working mode selection system: Power, Economy, Fine, Lifting, Breaker, Attachment

## DIGGING EQUIPMENT

- 4,600 mm (15' 1") boom
- 2,500 mm (8' 2") arm
- 0.6 m<sup>3</sup> (0.78 yd<sup>3</sup>) bucket (SAE, heaped)

## OPERATOR STATION

- Pressurized and sealed cab with all-around visibility, large roof window with slide sliding sun visor, front window wiper and removable lower window
- Roll-Over Protective System (ROPS)
- Mechanical suspension seat
- Skylight rooftop
- Air conditioner, heater, defroster
- Swing parking brake
- AM/FM radio with MP3 audio jack
- Glass-breaking hammer
- Ashtray, cigarette lighter
- Cup holder
- Floor mat
- Storage box
- Front glass lower guard
- Fire extinguisher
- Rear view mirrors
- One key for all locks

## INSTRUMENTATION

- Color LCD monitor with alarms, filter/fluid change, fuel rate, water temperature, work mode, fault code, working hour, etc.
- Fuel gauge
- Hydraulic oil level gauge

## ELECTRICAL

- Alternator 70 A
- Dual batteries 12 V
- Working lights, 1 frame mounted, 2 boom mounted
- Starting, 24 V

## UNDERCARRIAGE

- 600 mm (24") track-shoes with triple grousers
- 1 piece track - guard (each side)
- Towing eye on base frame

## GUARDS

- Belly guards
- Cover plate under travel frame
- Track shields

## OTHER STANDARD EQUIPMENT

- 2,300 kg (5,071 lbs) counterweight
- Maintenance tool kit
- Maintenance parts package

# OPTIONAL EQUIPMENT

## ENGINE SYSTEM

- Electrical fuel refilling pump

## HYDRAULIC SYSTEM

- Control pattern change valve
- Hydraulic lines:
  - Breaker & shear
  - Slope & rotator
  - Grapple
  - Oil drain line
  - Quick coupler
- Hydraulic quick coupler
- Overloading valve
- Cushion valve

## OPERATOR STATION

- Power outlet 24 V to 12 V converter
- 4 LED cab top lights
- Working lights on cab (2 on top-front cab)
- Rear view camera 5.7" monitor
- Air suspension seat
- Control joysticks with 2 switch & 1 proportional
- Safety net for front window
- Rain visor
- Travel alarm
- Rotating beacon
- Operation protection guard (included cab front and top guard, bar)
- Operation protection screen (on cab front, net)
- Operation protection screen (front-lower)

## UPPER STRUCTURE

- Upper frame protection (wire)
- Belly guard and 8 mm thickness platform bottom plate
- Bucket cylinder guard

## UNDERCARRIAGE

- 700 mm (28") track-shoes with triple grousers

## DIGGING EQUIPMENT

- Arm: 2,900 mm (9' 6")
- 0.36 m<sup>3</sup> (0.47 yd<sup>3</sup>) bucket (SAE, heaped)



## Guangxi LiuGong Machinery Co., Ltd.

No. 1 Liutai Road, Liuzhou, Guangxi, PR China 545007  
T: +86 772 388 6124 E: overseas@liugong.com  
www.liugong.com

LG-SP-915E-T4F-WW-A4-02012018-ENG

Like and follow us:



The LiuGong series of logos herein, including but not limited to word marks, device marks, letter of alphabet marks and combination marks, as the registered trademarks of Guangxi LiuGong Group Co., Ltd. are used by Guangxi LiuGong Machinery Co., Ltd. with legal permission, and shall not be used without permission. Specifications and designs are subject to change without notice. Illustrations and pictures may include optional equipment and may not include all standard equipment. Equipment and options varies by regional availability.